



# TWIGA Orbital

The TWIGA Orbital range is aimed at the high output grass mowing contractor and in particular those interested in the maintenance of waterways and embankments.

With the ability to cut on either side of the tractor through 180 degree power slew the machine significantly increases output when mowing long runs, whilst eliminating non productive travel and reducing tracking on embankments.

An optional wheel carriage attachment helps to reduce the gross vehicle weight of the tractor, whilst the 80HP Piston Hydraulic System supports intensive cutting day after day.

The TWIGA Orbital is favoured by many drainage boards, local authorities and environmental agencies throughout Europe.

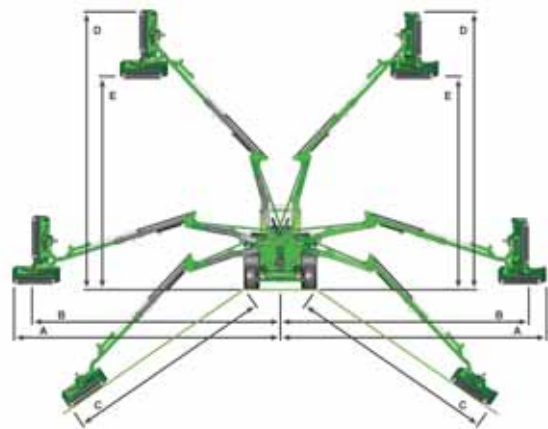
# TWIGA Orbital

- Precision Proportional Controls
- Ability to cut either side of the machine
- Cushion Top Link
- Rear Lighting Kit
- Parallel Arm Geometry
- Telescopic Dipper Arm (726T & 836T)
- Totally Independent 80HP Piston Hydraulic System
- Cast Iron Pumps and Motor
- Heavy Duty Cast Iron Gearbox
- Hydraulic Power Slew and Safety Breakaway
- Oil Cooler
- 230 Litre Oil Capacity
- 1.2 Metre DP Belt Drive Flailhead
- Axle Mounting System

### Optional Extras

- Autopilot Control
- Hydraulic Wheel Kit

MODEL	606	686	726T	836T
Maximum Reach	6.0m	6.8m	7.2m	8.3m
Machine weight	2155kg	2312kg	2372kg	2400kg
Oil Tank capacity	230ltr	230ltr	230ltr	230ltr
Transport width	2.4m	2.4m	2.4m	2.4m
Piston totally independent hydraulics	STD	STD	STD	STD
3-point linkage-mounting	N/A	N/A	N/A	N/A
Axle mounting	STD	STD	STD	STD
Road lighting kit	STD	STD	STD	STD
Tractor power required	120hp	130hp	140hp	150hp
Tractor weight required	4500kg	4750kg	5000kg	6000kg



	A	B	C	D	E
TWIGA Orbital 606	6.2m	5.7m	4.4m	6.6m	4.5m
TWIGA Orbital 686	6.9m	6.4m	5.1m	7.3m	5.2m
TWIGA Orbital 726T	7.5m	7.0m	5.7m	7.9m	5.8m
TWIGA Orbital 836T	8.4m	7.9m	6.6m	8.8m	6.7m

